

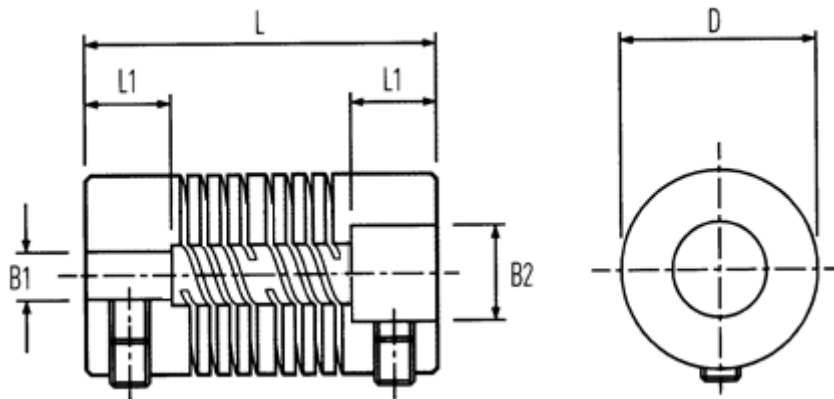
# Data Sheet



Article number: 339702640000

Description: Multibeam 6 Coupling 702.64.0000  
St. steel & set screw hubs

## Measures



B1: Pre-drilled	= 12.0	Peak Torque NM = 140.00
B2: Pre-drilled	= 25.00	Set Screw = M8
D	= 63.5	
L	= 150.0	
L1	= 38.0	
Max angular displacement	= 1.00	
Max B1 & B2	= 38.00	
Max parallel displacement	= 7	